

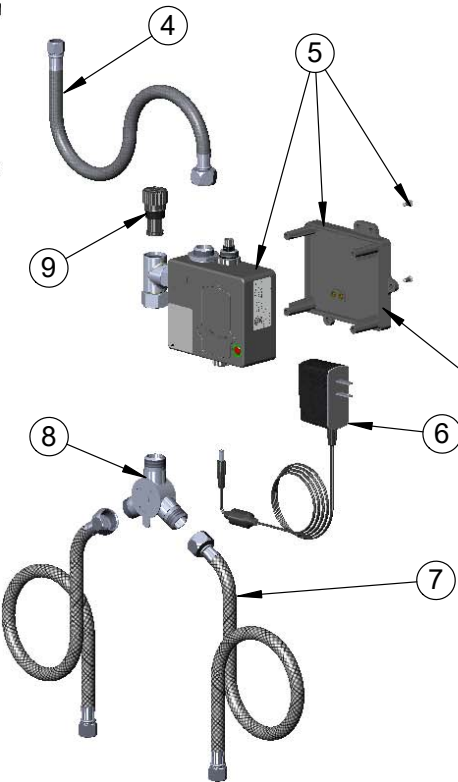
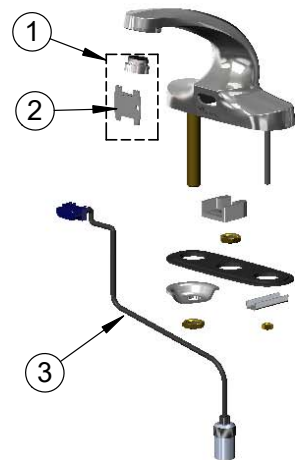


BEST PLUMBING SPECIALTIES

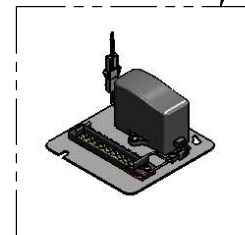
Phone: 800-448-6710 | www.bestplumbingspecialties.com

Model No.
EC-3104-VF05
Item No.

ITEM NO.	SALES NO.	DESCRIPTION
1	99760059	VR 0.5 GPM Non-Aerated Spray Device, 13/16-27 UN Male w/ Key
2	99812042	Vandal Resistant Key
3	99520653	Angled Sensor w/ Cable
4	88089757	Inlet Hose, Faucet, 1/2" NPSM-F x 1/4" NPSM-F
5	88089759	ChekPoint Module (Grey)
6	99254812	Plug-in AC Transformer
7	88090153	Supply Hose, 9/16-24 Female x 1/2" NPSM
8	99254814	Mechanical Mixing Valve
9	99610246	Replacement Filter



A Maximum of (8) ChekPoint Faucets can be Hardwire Connected and Powered by EC-HARDWIRE ChekPoint Hardwire AC Transformer. (Sold Separately)



Label for Flow Control Switch Settings is Located on Inside of Back Cover.

Flow Control Switches are Located Inside Module Housing in Black Box Next to Battery Compartment.
*Switches are Set to DEFAULT Position:
- Auto Time Out = 15 Seconds
- Shut Off Delay = 1 Second
- Auto Flush = OFF

Remove (4) Screws and Back Cover to Access Switches.

*Available Water Flow Control Selections:
- Auto Time Out: 15 sec, 30 sec, 45 sec, 60 sec, 3 min, 20 min
- Shut Off Delay: 1 sec, 10 sec, 15 sec, 30 sec
- Auto Flush (30 Seconds After Every 12 Inactive Hours): ON or OFF

Product Specifications:
Chrome Plated Brass Electronic Faucet: 4" Deck Mount Cast Spout w/ VR 0.5 GPM Non-Aerated Spray Device, AC/DC Control Module w/ Internal Flow Control Setting Switches, Temperature Control Mixing Valve w/ Integral Check Valves & 18" Hot & Cold Supply Stop Flexible Connector Hoses

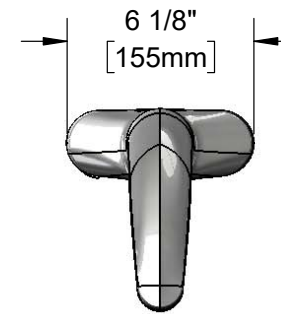
Product Compliance:
ASME A112.18.1 / CSA B125.1
NSF 61 - Section 9
NSF 372 (Low Lead Content)
ANSI A117.1 (ADA)
UL 1951



BEST PLUMBING SPECIALTIES

Phone: 800-448-6710 | www.bestplumbingspecialties.com

Model No.
EC-3104-VF05
Item No.



This Space for Architect/Engineer Approval

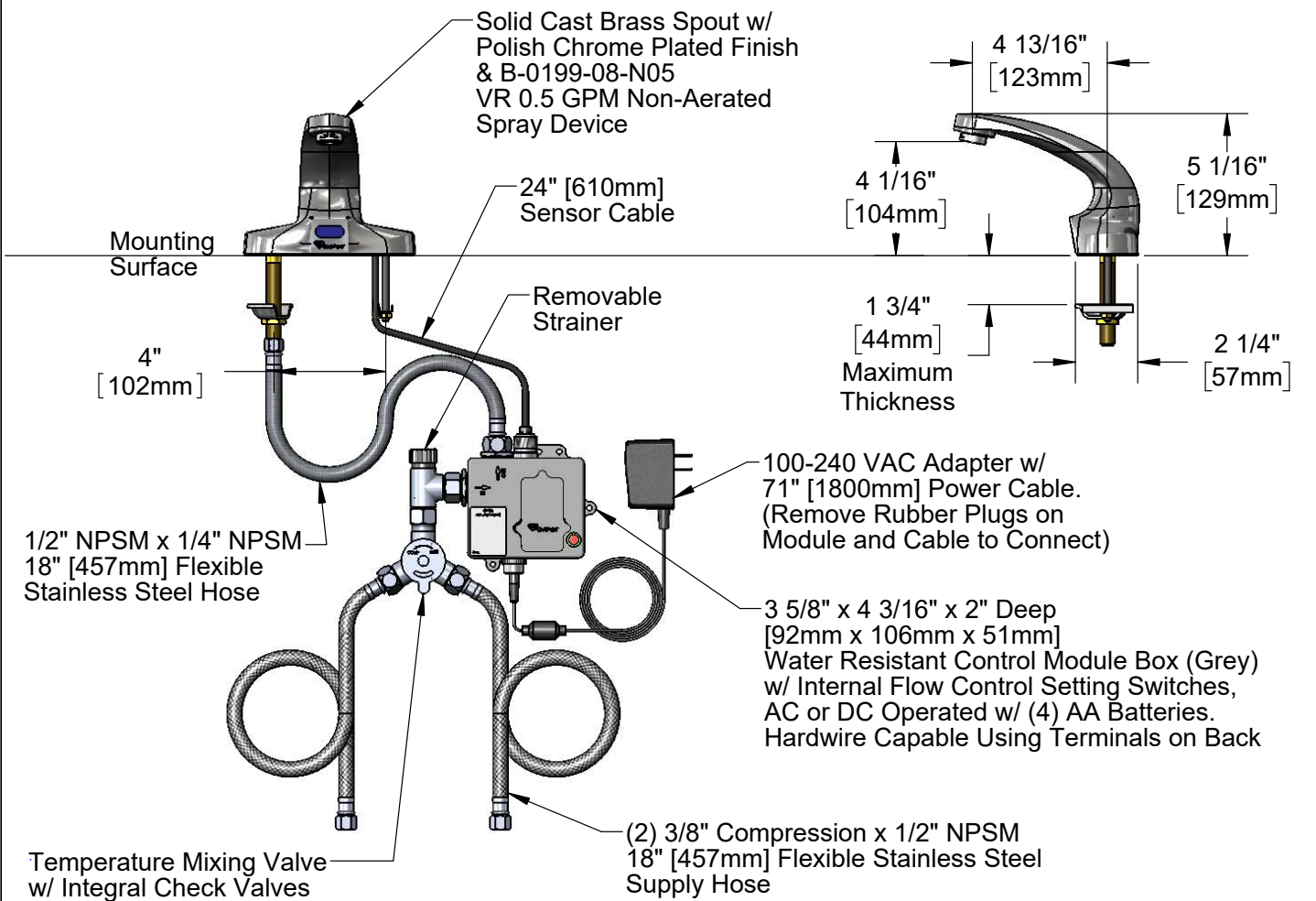
Job Name _____ Date _____

Model Specified _____ Quantity _____

Customer/Wholesaler _____

Contractor _____

Architect/Engineer _____



Rough-In Requirement:
(2) 1" [25mm] Mounting Holes on 4" [102mm] Centers

Product Specifications:
Chrome Plated Brass Electronic Faucet: 4" Deck Mount Cast Spout w/ VR 0.5 GPM Non-Aerated Spray Device, AC/DC Control Module w/ Internal Flow Control Setting Switches, Temperature Control Mixing Valve w/ Integral Check Valves & 18" Hot & Cold Supply Stop Flexible Connector Hoses

Product Compliance:
ASME A112.18.1 / CSA B125.1
NSF 61 - Section 9
NSF 372 (Low Lead Content)
ANSI A117.1 (ADA)
UL 1951